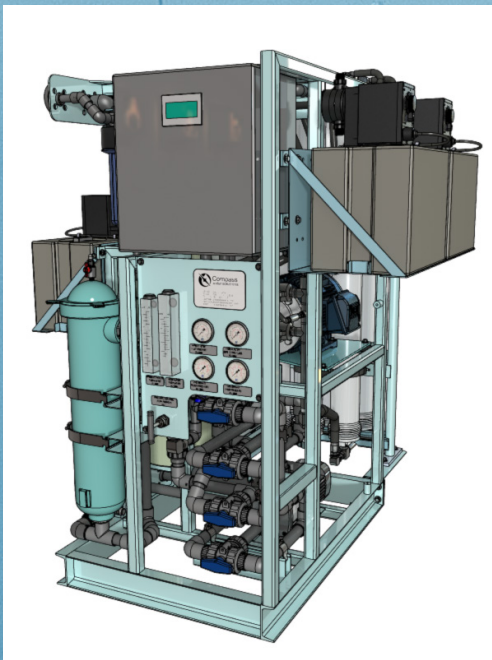


AQUA-SEP SERIES II - REVERSE OSMOSIS SYSTEMS

HIGH VOLUME OF PREMIUM PRODUCT WATER IN SMALL COMPACT FOOTPRINT

Standard system range from 10 m³d (2,640 GPD) to 30 m³d (7,925 GPD) and handle a wide range of salinity (36,000 TDS to 45,000 TDS), with temperature ranges (0°C/32°F to 35°C/95°F). The closed-loop control system is built with NEMA 4X integrity and can be operated in fully automatic or manual modes from the same standard controller.



BENEFITS:

- Carbon Steel, Marine-grade Powder Coated Frame
- Low Consumables - Single 5 micro filter
- Integrated Optional Chemical Feed System
- Optional full color touch screen available.
- PLC controls and gauge panel at eye level
- Controls for manual operation at front of unit
- Easy installation, startup and commissioning
- All hookups on one side of the unit
- Improved design for service and maintenance
 - Easy access to pumps.
 - Ready access to all instruments and filters
- Modular design allows for easy addition of options.
- Pre-engineered for all options

OPTIONAL FEATURES:

Booster Pump, Automatic Fresh Water Flush, Integrated Multi-Media Filter, up to four pre/post dosing tanks, Clean-In-Place System, Flow Transmitter, PH Meter

ACCESSORIES

Available off-skid
UV Sterilizer
Calcite Filter



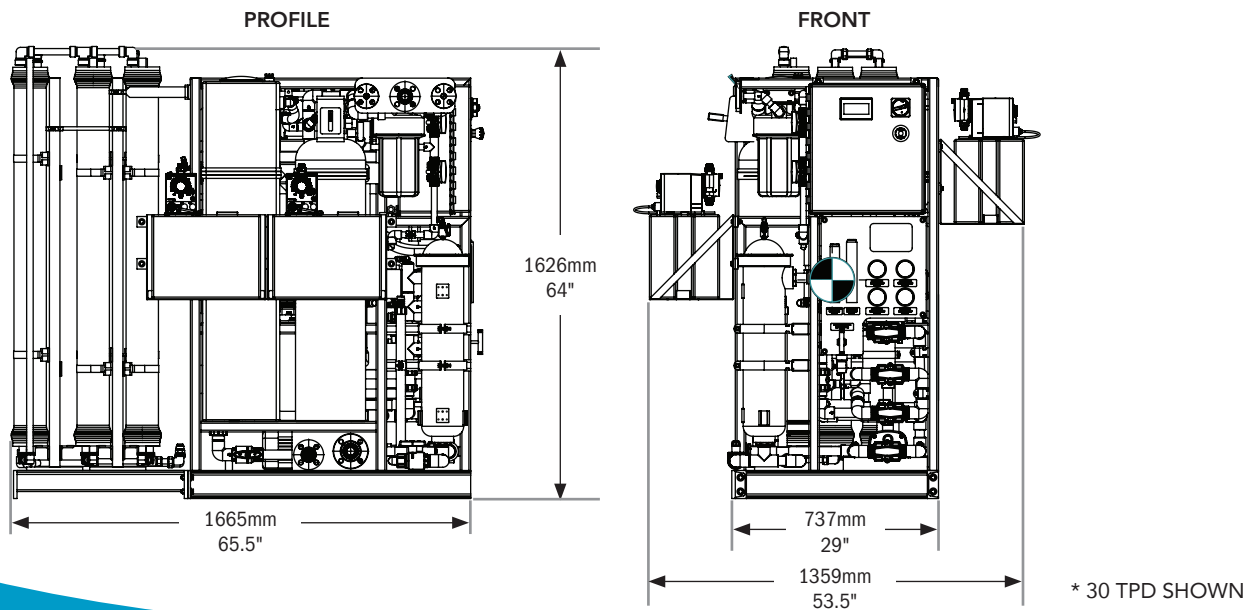
AQUA-SEP SERIES II - Specifications

System Size m ³ /day	Number of Membranes	Production/Hour		Production/24 hrs.		Width	
		Gal.	Lit.	Gal.	Lit.	Lbs.	Kg.
10	3	110	416	2640	1000	1250	570
15	5	165	625	3960	15000	1350	613
20	6	220	833	5280	20000	1500	680
25	8	275	1041	6600	25000	1650	750
30	9	330	1249	7920	30000	1750	795

System Size	10 m ³ d	15-30 m ³ d	DATA
	440-480V/60HZ/3PH		
10 m ³ d to 30 m ³ d	7.0HP	9.5HP	Total Horse Power
	10.1A	13.5A	Full Load Amps
	50	50A	Recommended CB

* OTHER OPTIONS AVAILABLE

DIMENSIONS



Compass Water Solutions

15542, Mosher Ave., Tustin, California 92780, USA
 T: + 1-949-222-5777 F: + 1-949-222-5770
 info@compasswater.com