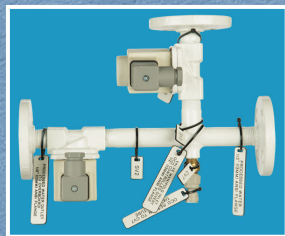


VG-SEP 200 Series

VG-SEP 200 Series Bilge Water Separator is a small unit with a lower capital cost. Ideal for engine rooms where your installation space and budget are tight. Built for Yachts, Tugs, Towboats and Small Workboats. The VG-SEP 200 uses coalescing matrix technology in the first stage coupled with high tech replaceable filter elements to meet IMO MEPC.107(49) requirements for removal of both free and emulsified oils from bilge water to less than 15ppm.



Benefits:

- Superior separation of emulsions in a compact design.
- Small footprint allows easy retrofit installation.
- Electronics are simple and easy to operate.
- All units are pre-wired and pre-piped to facilitate easy installation and operation.
- IMO MEPC.107(49) type approved by USCG (15ppm).
- Updated design with easily replaceable filter element for ease of maintenance.

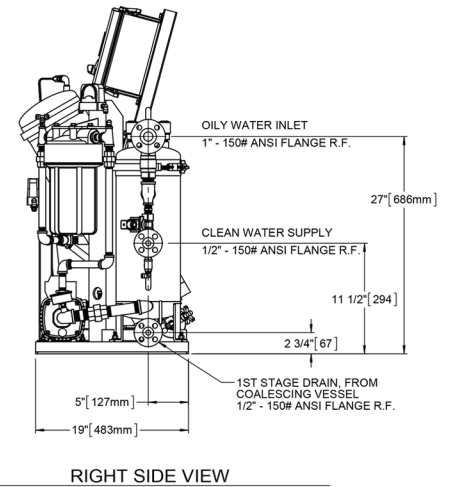
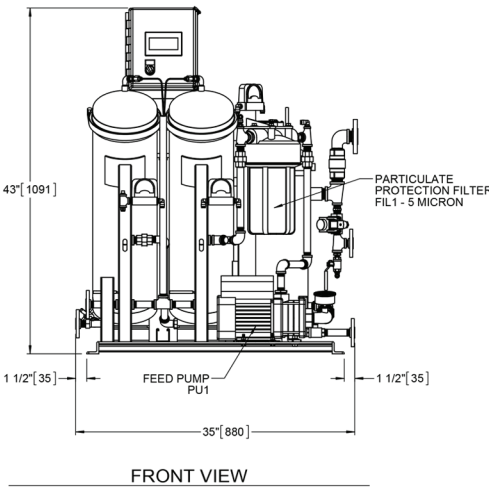
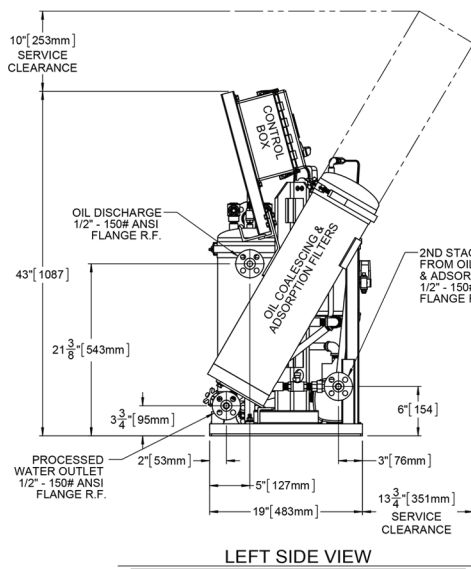
Options:

- IMO MEPC.107(49) Monitor for installation on or off the skid.
- Discharge manifold for installation on or off the skid (Used with Optional Monitor).

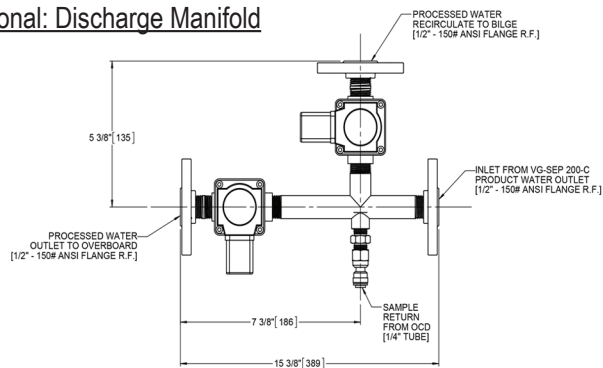


VG-SEP 200 Series

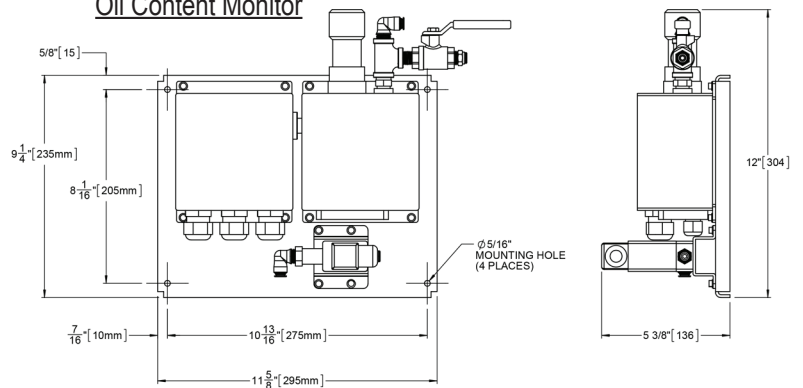
Model No	Throughput	Length	Width	Height	Weight Dry	Oily Water Inlet	Processed Water Discharge	Oil Discharge	Power
	m ³ /h(gpm)	mm (in)	mm (IN)	mm (in)	kg (lbs)	mm (in)	mm (in)	mm (in)	kW
VGS200	0.45 (2.0)	880 (35)	539 (21.5)	1087 (43)	159 (350)	25 (1.0)	12.5 (0.5)	12.5 (0.5)	1



Optional: Discharge Manifold



Oil Content Monitor



Compass Water Solutions

15542, Mosher Ave., Tustin, California 92780, USA
 T: + 1-949-222-5777 F: + 1-949-222-5770
 info@compasswater.com